



**ELECTRO-PNEUMATIC POSITIONER**



ISO 9001  
Quality 

ISO 14001  
Environment 

OHSAS 18001  
Health & Safety 



## ELECTRO-PNEUMATIC POSITIONER ROTARY / LINEAR

Scan me

### DESCRIPTION

Rugged aluminum die-cast housing has superior anti-corrosion surface treatment and an easy-read visual valve position indicator. The visual valve position indicator is located on the top of the positioner. Gauges provided for pressure monitoring. These positioners direct mount to rotary-type air actuators with the standard VDI / VDE-3845 Namur style top shaft mounting. Universal Namur painted steel mounting bracket kit is included with each positioner.

### FEATURES

- Valve positioners for 4-20mA or 0,2-1 bar input
- Rugged aluminum housing with anti-corrosion protection
- Linearity +/- 1.5 %
- Rotation 90° clockwise or counter-clockwise
- Direct drive output shaft—no linkages
- Stainless steel gauge(s)
- Visual valve position indicator
- Universal Namur mounting bracket included

### APPLICATION

Pneumatic positioners are used with rotary air actuators to accurately position control valves used in throttling applications. Convalve positioners offer fast and accurate control of ball valves, butterfly valves and other types of valves. Suitable for use with Convalve double acting or spring return air actuated valves, as well as most other brands utilizing the standard Namur mount.

### OPERATION

Pneumatic positioners convert either a 4-20mA or 3-15 PSI input control signal to a proportional pneumatic output. This output is fed to an air actuator which in turn controls the valve position and flow (combined with mechanical position feedback). Fast and accurate response times from input change to valve movement. Easily adjustable zero and span if required. The positioner can be set up to rotate the output shaft clockwise or counter-clockwise 90 degrees. Easily convertible from spring return to double acting or vice versa.

### ACCESSORIES

Filter/Regulators - Used to filter the incoming air and set/maintain constant inlet pressure.

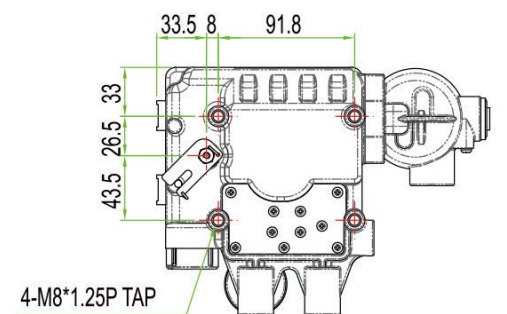
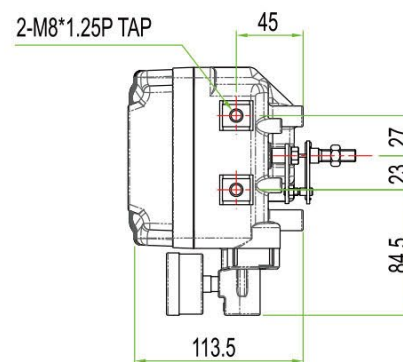
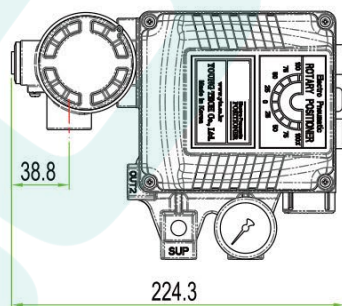
# ROTARY ELECTRO-PNEUMATIC POSITIONER

Model	Acting Type	Exproof	Lever Type	Orifice Type	Conduit-Air Connection	Ambient Temp*	Option 1	Option 2
EPP-1000R	<b>S</b> Single	<b>m</b> Ex dmb IIB T5 (KTL)	<b>1</b> M6 × 34L	<b>1</b> φ 1	<b>1</b> G1/2 - PT1/4	<b>S</b> -20°C ~ 60°C	<b>0</b> None (St'd)	<b>0</b>
	<b>D</b> Double	<b>C</b> Ex dmb IIC T5 (KTL)	<b>2</b> M6 × 63L	<b>2</b> φ 2	<b>2</b> G1/2 - NPT1/4	<b>H</b> -20°C ~ 120°C	<b>1</b> Dome Cover	<b>1</b> + SPTM (Internal)
		<b>i</b> Ex ia IIB T6 (KTL)	<b>3</b> M8 × 34L	<b>3</b> None	<b>3</b> G1/2 - G1/4	<b>L</b> -40°C ~ 70°C		<b>2</b> + SPTM (External)
		<b>n</b> Non-Explosion	<b>4</b> M8 × 63L		<b>4</b> M20 - NPT1/4			<b>3</b> + L / S (Internal)
		<b>f</b> Ex dm IIB T5 (FM)	<b>5</b> NAMUR		<b>5</b> NPT1/2 - NPT1/4			<b>4</b> + L / S (External)
		<b>p</b> Ex ia IIC T6 (NEPSI)						<b>5</b> + SPTM + L / S (Internal)
		<b>H</b> Ex dmb IIC T5/T6 (NEPSI)						<b>6</b> + SPTM + L / S (External)

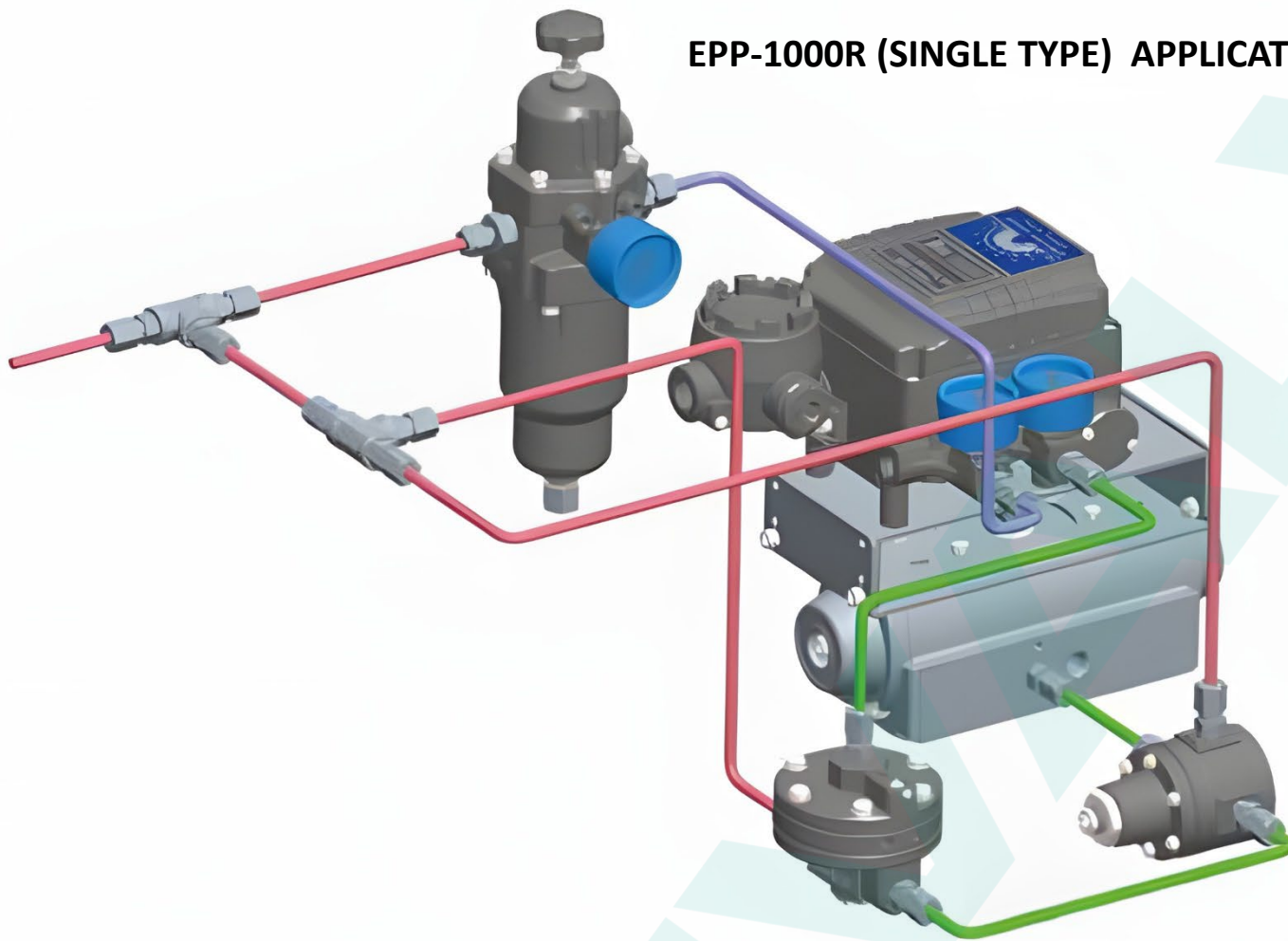
( Specify Your Requirement )



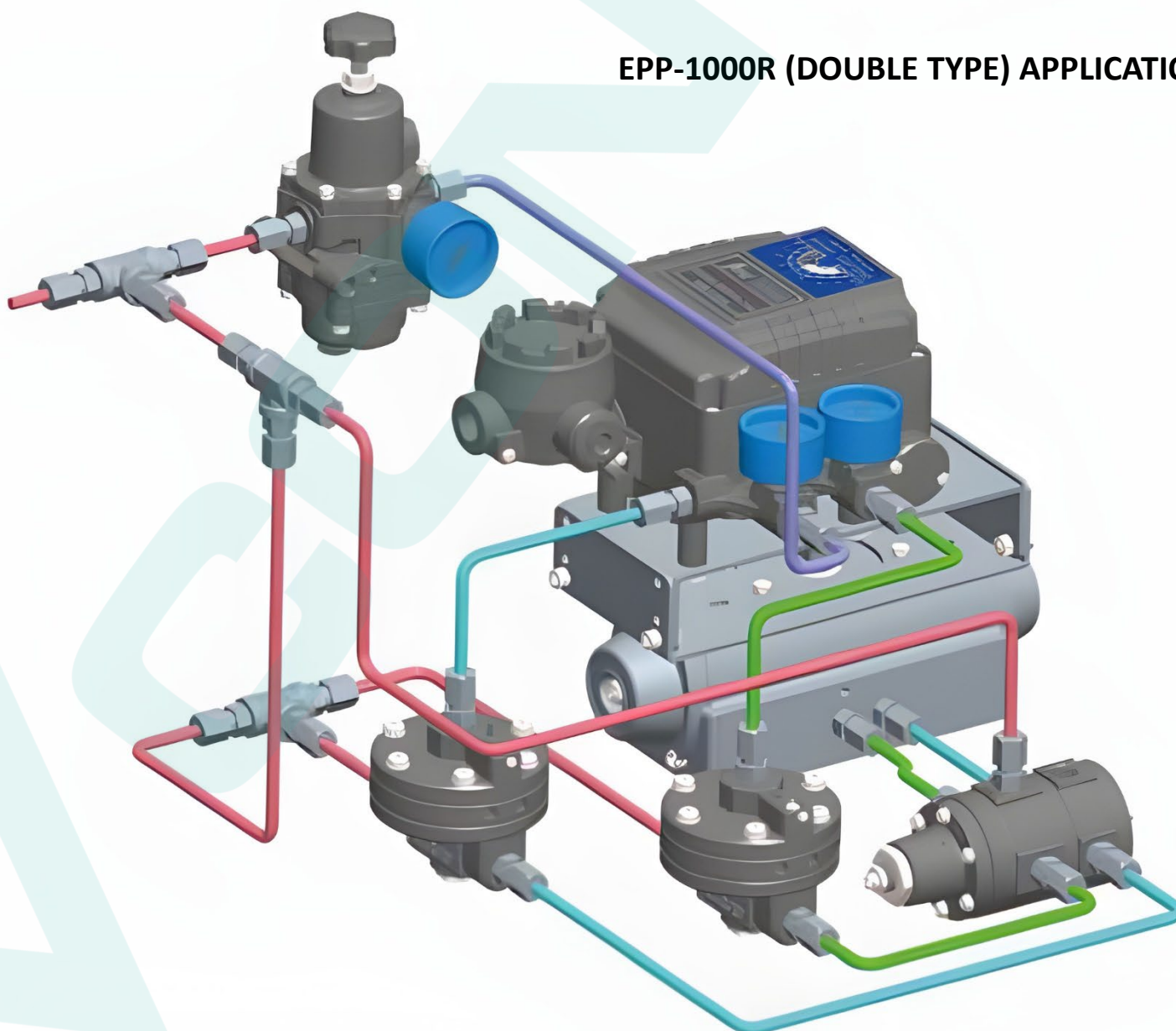
ITEM • TYPE	SINGLE	DOUBLE
INPUT SIGNAL	4-20mA DC	
IMPEDANCE	250 ± 15 Ω	
SUPPLY PRESSURE	0.14~0.7MPa(1.4~7bar)	
STROKE	0-90°	
AIR CONNECTION	PT(NPT,G)1/4	
GAUGE CONNECTION	PT(NPT) 1/8	
CONDUIT	G(PF,NPT)1/2, M20	
EXPLOSION PROOF	ExdmbIIBT5 (KTL)	
	Ex dmb IIC T5 (KTL)	
	Ex ia IIB T6 (KTL)	
	Ex ia IIC T6 (NEPSI)	
	Ex dmb IIC T5/T6 NEPSI	
ENCLOSURE	IP66	
AMBIENT TEMP	-20°C~70°C(-4-158°F)	
LINEARITY	±1% F.S.	±2% F.S.
HYSTERESIS	±1% F.S.	
SENSITIVITY	±0.2% F.S.	±0.5% F.S.
REPEATABILITY	±0.5% F.S.	
AIR CONSUMPTION	2.5 LPM (sup=0.14MPa)	
FLOW CAPACITY	80LPM (sup=0.14MPa)	
MATERIAL	Aluminum Diecasting	
WEIGHT	2.8kg (6.2 lb)	



EPP-1000R (SINGLE TYPE) APPLICATION EXAMPLE



EPP-1000R (DOUBLE TYPE) APPLICATION EXAMPLE



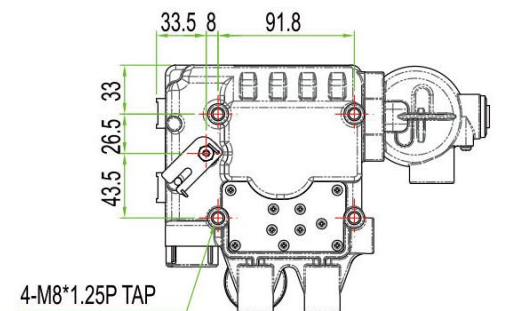
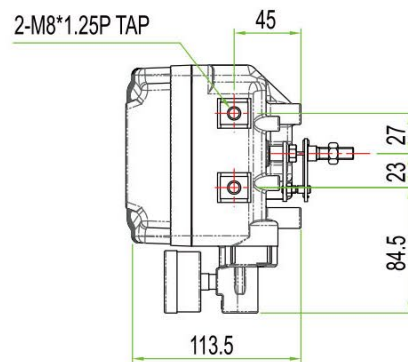
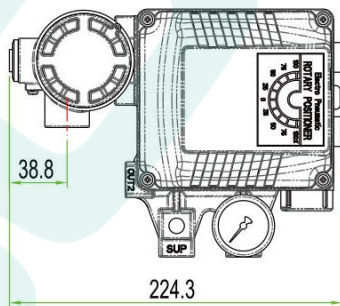
# LINEAR ELECTRO-PNEUMATIC POSITIONER

Model	Acting Type	Exproof	Lever Type	Orifice Type	Conduit-Air Connection	Ambient Temp*	Option
EPP-1000L	<b>S</b> Single	<b>m</b> Ex dmb IIB T5 (KTL)	<b>1</b> 10 ~ 40mm	<b>1</b> $\phi 1$	<b>1</b> G1/2 - PT1/4	<b>S</b> -20°C ~ 60°C	<b>0</b> NONE
	<b>D</b> Double	<b>C</b> Ex dmb IIC T5 (KTL)	<b>2</b> 30 ~ 70mm	<b>2</b> $\phi 2$	<b>2</b> G1/2 - NPT1/4	<b>H</b> -20°C ~ 120°C	<b>2</b> + SPTM (Smart Type)
		<b>i</b> Ex ia IIB T6 (KTL)	<b>3</b> 60 ~ 100mm	<b>3</b>	<b>3</b> G1/2 - G1/4	<b>L</b> -40°C ~ 70°C	<b>3</b> + SPTM with LCD (Smart Type)
		<b>n</b>	<b>4</b> 100 ~ 150mm		<b>4</b> M20 - NPT1/4		
		<b>f</b> Ex dm IIB T5 (FM)			<b>5</b> NPT1/2 - NPT1/4		
		<b>p</b> Ex ia IIC T6 (NEPSI)					
<b>H</b> Ex dmb IIC T5/T6 (NEPSI)							

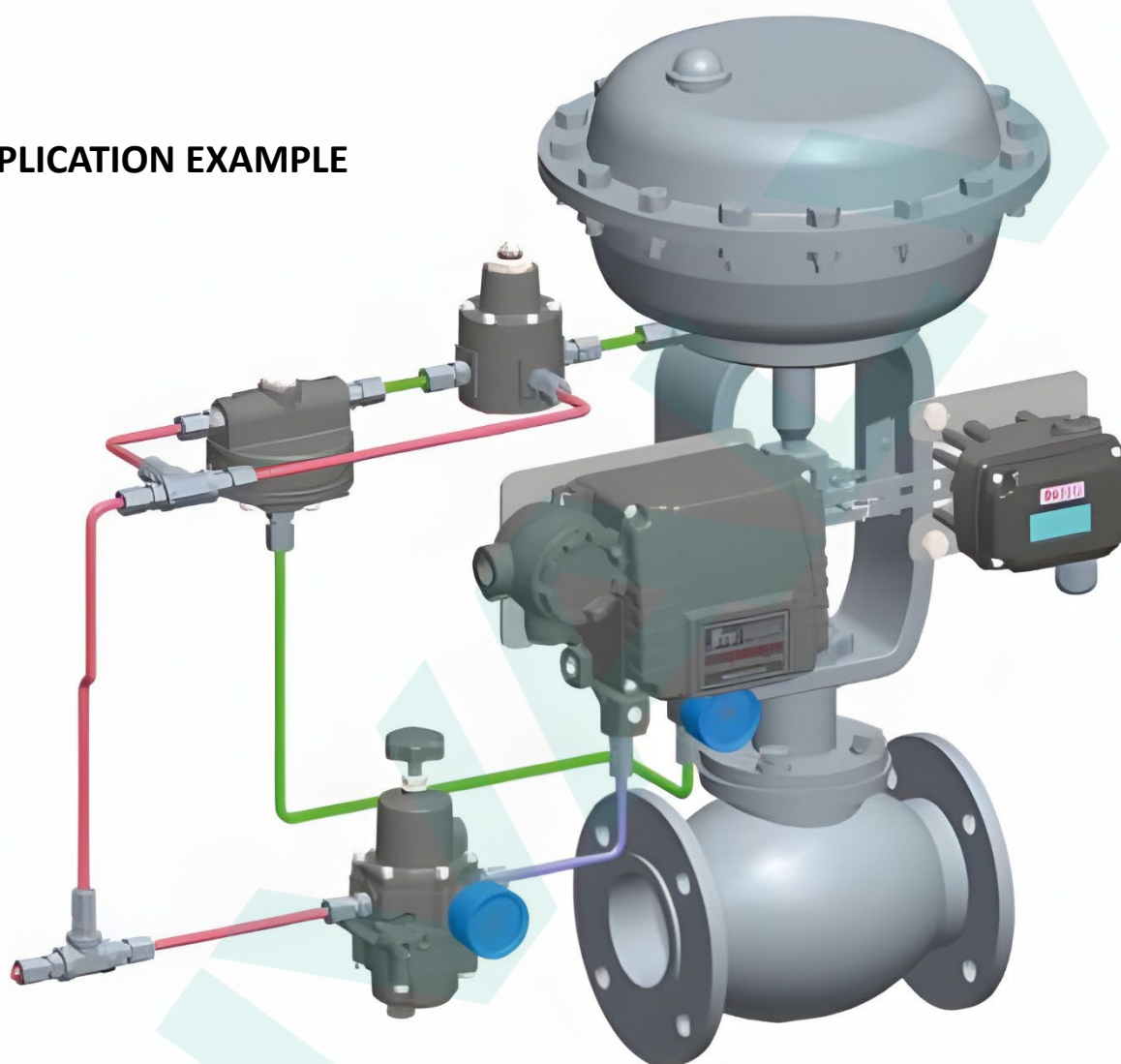
( Specify Your Requirement )



ITEM • TYPE	SINGLE	DOUBLE
INPUT SIGNAL	4-20mA DC	
IMPEDANCE	250 ± 15 Ω	
SUPPLY PRESSURE	0.14~0.7MPa(1.4~7bar)	
STROKE	10-150mm	
AIR CONNECTION	PT(NPT,G)1/4	
GAUGE CONNECTION	PT(NPT) 1/8	
CONDUIT	G(PF,NPT)1/2, M20	
EXPLOSION PROOF	ExdmbIIBT5 (KTL)	
	Ex dmb IIC T5 (KTL)	
	Ex ia IIB T6 (KTL)	
	Ex ia IIC T6 (NEPSI)	
	Ex dmb IIC T5/T6 NEPSI	
ENCLOSURE	IP66	
AMBIENT TEMP	-20°C~70°C(-4-158°F)	
LINEARITY	±1% F.S.	±2% F.S.
HYSTERESIS	±1% F.S.	
SENSITIVITY	±0.2% F.S.	±0.5% F.S.
REPEATABILITY	±0.5% F.S.	
AIR CONSUMPTION	2.5 LPM (sup=0.14MPa)	
FLOW CAPACITY	80LPM (sup=0.14MPa)	
MATERIAL	Aluminum Diecasting	
WEIGHT	2.7kg (6.1 lb)	



EPP-1000L (SINGLE TYPE) APPLICATION EXAMPLE



EPP-1000L (DOUBLE TYPE) APPLICATION EXAMPLE

