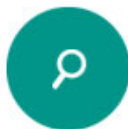


ELECTRIC ACTUATOR



CREATIVE • INNOVATION • PROCESS



SKU:0010


 Scan me

ELECTRIC ACTUATOR EAC 1 ELECTRIC ACTUATOR

Description

Exquisite design, excellent performance, light weight and big output torque. The inside and outside of closure is treated by hard oxygen, while epoxy resin+powder spraying are adopted for external treatment, which posses good antiseptic performance Protective grade of product is upward of IP67.

Connection dimension of output end is in accordance with the National Standard ISO5211.

Connection shaft sleeve can be replaced, and easily processed and installed. Worm wheels structure, which has self-locking function, and is of external adjustable mechanical limit.

It embedded thermal protector to carry out protection on electrical machine. Indicate the valve position continuously by big window for better viewing.

Multiple filed control unit, provide the best performance according to the requirement of users.

Intelligent control unit could be selected.

Features

- Quarter turn (90°) operation with mechanical travel stops
- Rugged type nema 4X weatherproof aluminum alloy enclosure
- Highly visual valve position indicator
- Manual override
- ISO5211 multi-flange valve mounting
- Heavy duty motors with overload protection
- Thermostatically controlled anti-condensation heater
- Two auxiliary limit switches included on base units
- Self-locking all metal gear train, no additional brake required
- Electronic Positioner models available for modulating type

Application

Industrial quality electric actuators typically used to automate quarter turn (90°) ball valves, butterfly valves and dampers. The EAC 1 series actuator is quick and easy to install with standard ISO5211 multi-flange mounting and a double square drive.

Operation

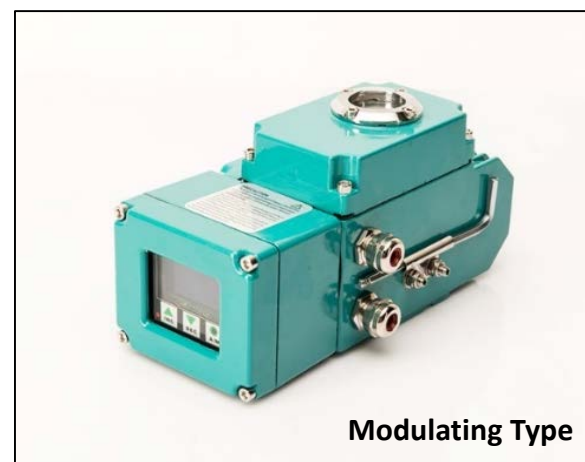
Electric actuator uses power-to-open and power-to-close, stays in the last known position with loss of power. On receipt of a continuous voltage signal, the motor runs and via a rugged all metal gear system rotates 90°. The motor is automatically stopped by internal cams striking limit switches. On receipt of a reversing continuous signal, the motor turns in the opposite direction reversing the output drive position. Modulating actuators with electronic positioner use an analog input signal to control the drive output position. Rugged self-locking all metal gear train eliminates the need for additional braking

Technical Data and Specifications

Model	Max output Torque(N-M)	Operating time90° (S)	Drive Shaft(mm)				Motor (W)	Rated Current (A) 220VAC/1 ph	Weight (kg)
			Square	Deep	Round	Deep			
EAC1-003	30	10	9x9 11x11	13.5 15.5	∅12.6	26	8	0.15	2.1
EAC1-005	50	30	11x11	15.5	∅12.6	26	10	0.25	3.6
		30	14x14	18					
EAC1-008	80	30	11x11 14x14	15.5 18	∅15.78	26	10	0.25	3.6
EAC1-010	100	30	14x14	18	∅15.78	28	15	0.35	4.6
		30	17x17	22.5	∅18.95				
EAC1-015	150	30	14x14 17x17	18 22.5	∅18.95	28	15	0.37	4.6
EAC1-020	200	30	22x22	26	∅22.13	45	45	0.3	13
EAC1-030	300	30	22x22	26	∅28.48	45	45	0.31	13.4
EAC1-040	400	30	22x22	26	∅28.48	45	60	0.33	13.8
EAC1-060	600	30	27x27	32.5	∅31.65	45	90	0.33	14
EAC1-080	800	40	27x27	32.5	∅31.65	45	180	0.47	14.3
EAC1-100	1000	40	27x27	32.5	∅31.65	45	180	0.47	14.5

Standard Specifications

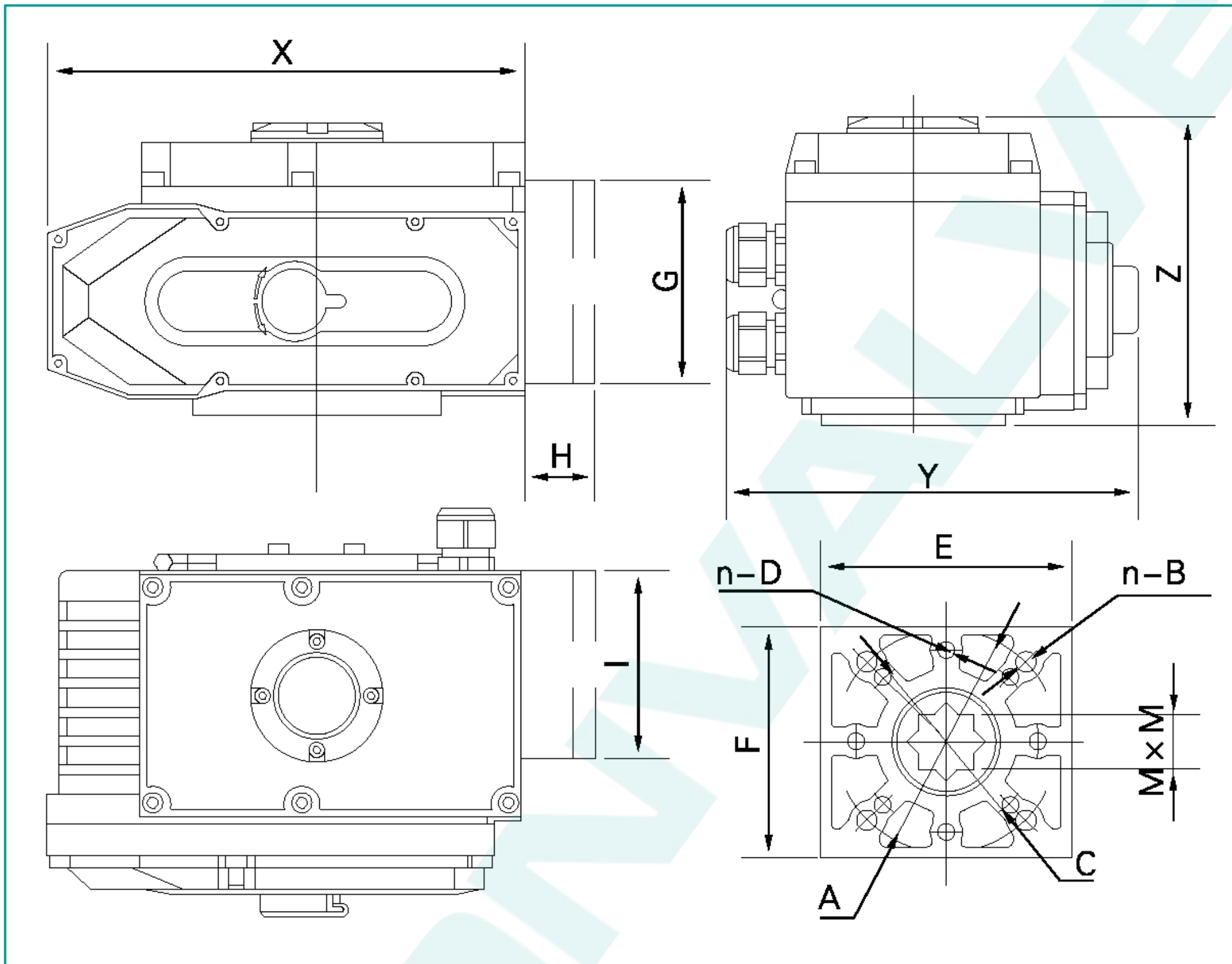
Shell	Waterproof level IP67.NEMA4 and 6
Motor power	Standard: 220V AC Single-phase Optional: 110V AC Single-phase, 38Q/440V AC Three-phase, 50/60Hz, ± 10% 24V DC /110V DC /220V DC
Motor	Squirrel-cage asynchronous motor
Limit switch	Open/close,each 1SPDT;250VAC10A
Auxiliary limit switch	Open/close,each 1 SPDT.250VAC10A
Stroke	90° ~270° ±10° (Please specify in advance if over 90°)
Stall protection	Inside overheating protection,open120°C ±5°C/close97°C ±5°C
Indicator	Continuousposition indicator
Manual operate	Mechanical handle (Handwheel is optional)
Self-locking device	Provide self-locking by worm and worm gear
Mechanical limit	2pieceof externaladjustablebolt
Space heater	7-10W(1 1 0/220V AC)
Conduit entry	2 Pieces M18
Ambient temperature	-20°C~+70°C
Lubrication	Aluminum base grease(Eptype)
Material	Steel,aluminum alloy,aluminum bronze,polycarbonate
Ambient humidity	Max 90% R H Non condensation
Anti-vibration performance	XYZ10g,0.2~34Hz,30 Minutes
External coating	Dry powder,epoxy polyester



Optional Specifications

Optional configuration	Remarks
Heater	Except EAC-03
Waterproof actuator (IP68, 10M, 250HR)	EAC Series
Potioneter(1K-10K)	Except EAC-03
Proportional control unit (input,output signal) 4-20mA DC/1-5V/1 -10V	Except EAC-03
Field control unit (local control opsn/stop/class switch,local/remote control switch)	Except EAC-03
Stroke 120° , 180° , 270°	EAC Series
DC motor(24V DC)	Except EAC-03
Current position sensor(Output 4-20mA DC)	Except EAC-03
Self-reset when power failure	EAC Series
Quick opening(2.8S, 5S, 10S, 15S)	EAC Series

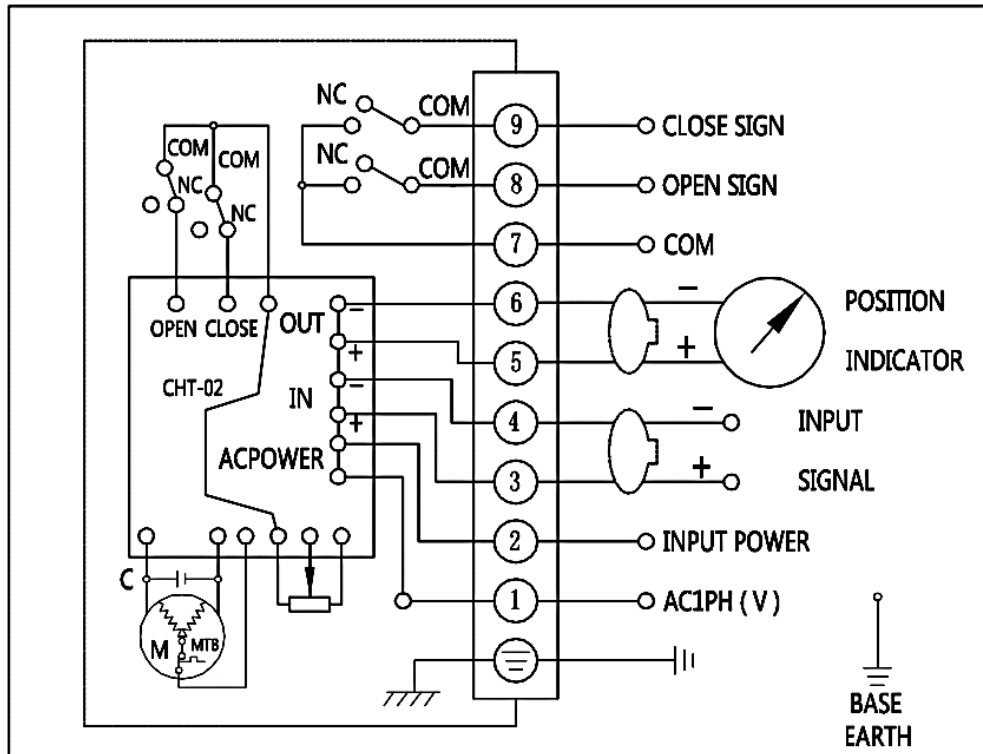
Dimension



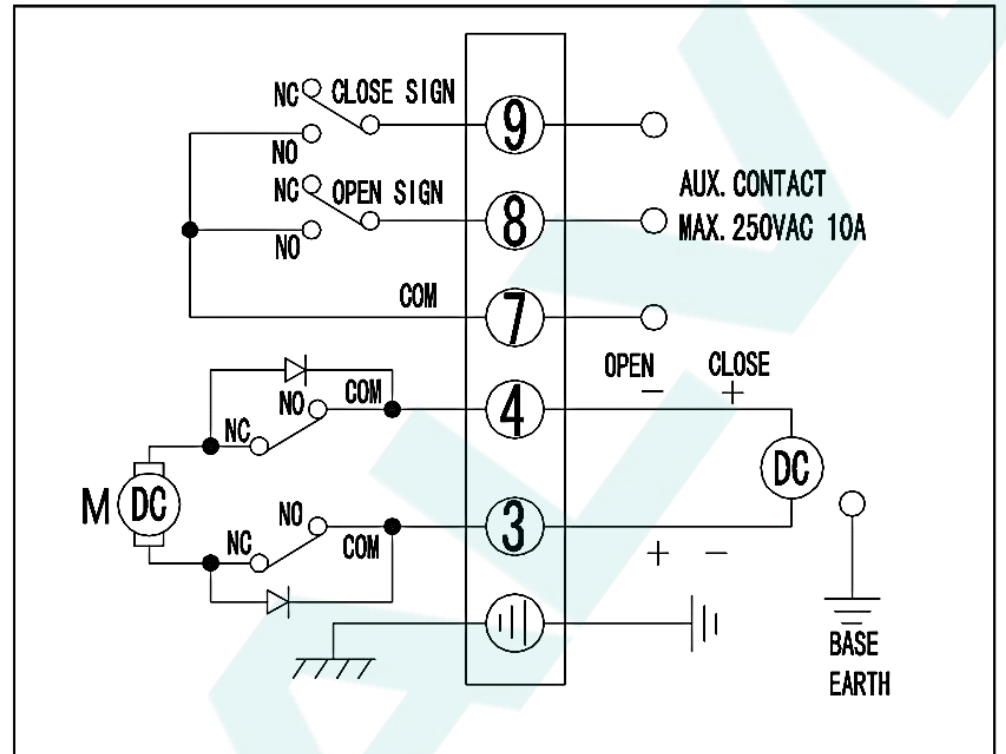
Model	X	Y	Z	A	N-B	C	N-D	E	F	G	H	I	MxM
EAC1-003	123	100	115	Ø50	4-M8	Ø36	4-M6	50	50	114	40	150	11x11
EAC1-005	161	121	125	Ø70	4-M8	Ø50	4-M6	66	66	114	40	150	14x 14
EAC1-010	188	145	127	Ø70	4-M8	Ø50	4-M6	100	90	114	40	150	17x17
EAC1-015	188	145	127	Ø70	4-M8	Ø50	4-M6	100	90	114	40	150	17x17
EAC1-020	268	255	164	Ø125	4-M12	Ø102	4-M10	140	130	114	40	150	27x27
EAC1-040	268	255	164	Ø125	4-M12	Ø102	4-M10	140	130	114	40	150	22x22
EAC1-060	268	255	164	Ø125	4-M12	Ø102	4-M10	140	130	114	40	150	22x22
EAC1-080	268	255	164	Ø125	4-M12	Ø102	4-M10	140	130	114	40	150	27x27
EAC1-100	268	255	164	Ø125	4-M12	Ø102	4-M10	140	130	114	40	150	27x27

Wiring Diagram

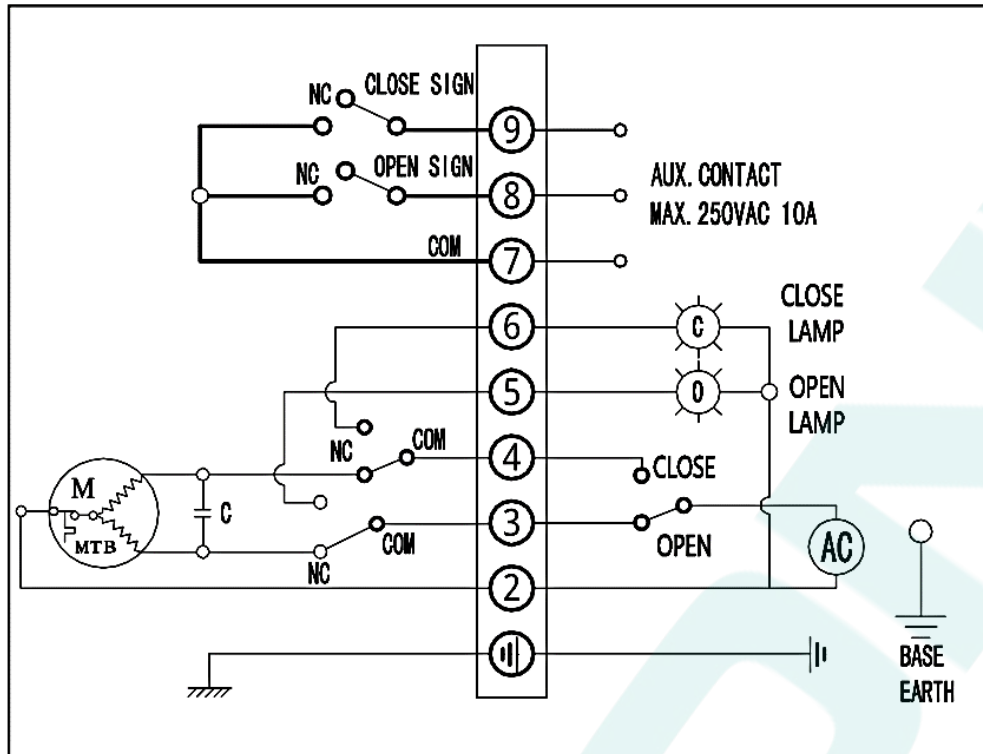
Modulating type 220V



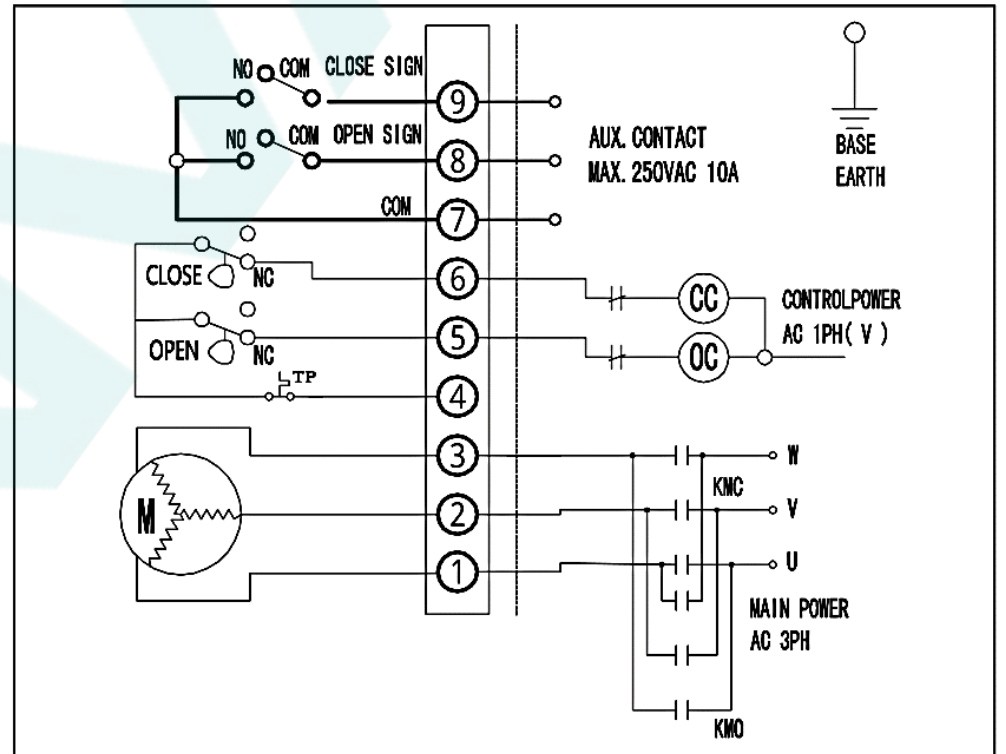
24V DC on-off passive type



220V AC on-off passive type



380V 50/60 HZ on-off type



SKU:0020



Scan me

ELECTRIC ACTUATOR EAC 2 ELECTRIC ACTUATOR

Description

Exquisite design, excellent performance, light weight and big output torque. The inside and outside of closure is treated by hard oxygen, while epoxy resin+powder spraying are adopted for external treatment, which posses good antiseptic performance. Protective grade of product is upward of IP67.

Connection dimension of output end is in accordance with the National Standard ISO5211.

Connection shaft sleeve can be replaced, and easily processed and installed. Double worm wheels structure, which has self-locking function, and is of external adjustable mechanical limit.

Power-driven/manual operation mode can be changed easily through hand shank, then Automatic reset to electronic control after power on.

Built-in torque switch, and carry out overload protection on electric actuator.

Moreover, it embedded thermal protector to carry out dual-protection on electrical machine.

Indicate the valve position continuously by big window for better viewing.

Multiple filed control unit, provide the best performance according to the requirement of users.

Intelligent control unit could be selected.

Features

- Quarter turn (90°) operation with mechanical travel stops
- Rugged type nema 4X weatherproof aluminum alloy enclosure
- Highly visual valve position indicator
- Manual override
- ISO5211 multi-flange valve mounting
- Heavy duty motors with overload protection
- Thermostatically controlled anti-condensation heater
- Two auxiliary limit switches included on base units
- Self-locking all metal gear train, no additional brake required
- EPS- Electronic Positioner models available

Application

Industrial quality electric actuators typically used to automate quarter turn (90°) ball valves, butterfly valves and dampers. The EAC2 series actuator is quick and easy to install with standard ISO5211 multi-flange mounting and a double square drive.

Operation

Electric actuator uses power-to-open and power-to-close, stays in the last known position with loss of power. On receipt of a continuous voltage signal, the motor runs and via a rugged all metal gear system rotates 90°. The motor is automatically stopped by internal cams striking limit switches. On receipt of a reversing continuous signal, the motor turns in the opposite direction reversing the output drive position. Modulating actuators with electronic positioner use an analog input signal to control the drive output position. Rugged self-locking all metal gear train eliminates the need for additional braking.

Technical Data and Specifications

Model	Max output torque	90° operating time 60/50HZ	Max bore size	F-class motor	Rated current(A) 60/50HZ				Handwheel rotation	Weight
					Single Phase		Three Phase			
	NM	S	mm	W	10V	220V	380V	440V	N	Kg
EAC2-010	100	18/22	Ø20	20	1.10/0.95	0.55/0.54	0.3/0.3	N/A	10	7.5
EAC2-020	200	21/25	Ø22	40	1.67/1.67	0.89/0.85	0.31/0.31	0.30/0.31	11	17.3
EAC2-030	300	26/31	Ø35	60	1.85/1.86	0.92/0.92	0.35/0.35	0.34/0.34	13.5	22
EAC2-050	500	26/31	Ø35	90	3.60/3.62	1.55/1.58	0.59/0.59	0.58/0.58	13.5	23
EAC2-080	800	31/37	Ø45	120	4.10/4.10	2.15/2.20	0.85/0.85	0.79/0.79	16.5	29
EAC2-100	1000	31/37	Ø45	180	4.20/4.10	2.35/2.30	0.87/0.87	0.81/0.81	16.5	29
EAC2-160	1600	93/112	Ø60	180	4.10/4.10	2.15/2.20	0.85/0.85	0.79/0.79	49.5	75
EAC2-200	2000	93/112	Ø65	180	4.10/4.10	2.15/2.20	0.85/0.85	0.79/0.79	49.5	75

Standard Specifications

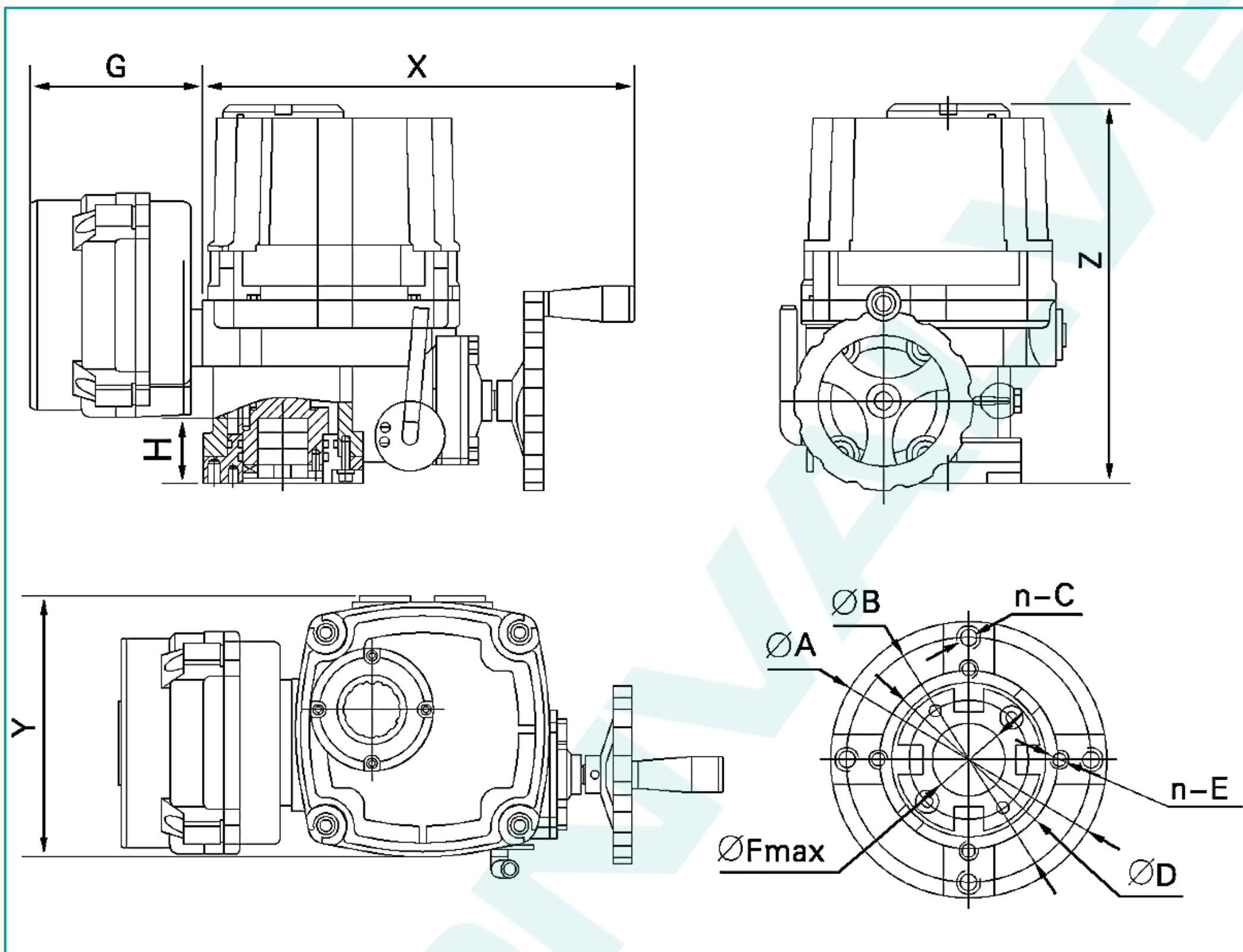
Shell	Waterproof level IP67,NEMA4 and 6
Motor power	Standard: 220V AC Single-phase Optional: 110V AC Single-phase, 380/440V AC Three-phase, 50/60Hz, ± 10% 24V DC /110V DC/220V DC
Motor	Squirrel-cage asynchronous motor
Limit switch	Open/else,each 1 SPDT,250VAC10A
Auxiliary limit switch	Open/close,each 1 SPDT,250VAC1 0A
Stroke	90° ~270° ±10° (Please specify in advance if over 90°)
Stall protection	Inside overheating protection,openl 15°C ±5°C/close97t,C ± 5°C
Indicator	Continuous position indicator
Manual operate	Declutching mechanism,cooperate with handwheel
Self-locking device	Provide seif-iocking by worm and worm gear
Mechanical limit	2pieceof externaladjustable bolt
Space heater	7-1 0W(110/220V AC)
Conduit entry	2(pieces)PE3/411
Ambient temperature	-20T>+70°C
Lubrication	Aluminum base grease(EPtype)
Material	Steefiauminum aiioy,aiuminum bronze.polycarbonate
Ambient humidity	Max90% RH Non condensation
Anti-vibration performance	XYZ10g,0.2~34Hz,30 Minutes
External coating	Dry powder,epoxy polyester,strong anti-corrosion function



Optional Specifications

Optional configuration	Remarks
Explosion-proof actuator (Exd II BT4,Exd II Ct6)	EAC2 Series
Waterproof actuator (Ip68, 10M,250HR)	EAC2 Series
Potioneter (1K-10K)	EAC2 Series
Proportional control unit (Input,Output Signal)4-20mA DC/1-5V/1-10V)	EAC2 Series
Field control unit (local control open/stop/close switch,local/remote control switch)	EAC2 Series
Stroke 120° , 180°.270°	EAC2 Series
DC motor (24V DC)	EAC2 Series
Additional torque switch (SPDT X 2 250V AC 10A)	EAC2 -005/008/010
Current position sensor (Output4-20mA DC)	EAC2 Series
After cutting power, the electric valve automatically open or close the control cabinet	EAC2 Series
High temperature resistant actuator (-10°C~+100°C)	EAC2 Series
Low temperature resistant actuator(-40°C~+70°)	EAC2 Series
Low speed actuator	EAC2 Series

Dimension



Model	X	Y	Z	A	B	N-C	D	N-E	F	G	H
EAC2-010	270	161	234	Ø90	070	4-M8	050	4-M6	Ø20	137	35
EAC2-020	346	240	270	Ø120	Ø102	4-M10	Ø70	4-M8	Ø22	137	40
EAC2-030	358	240	290	Ø150	Ø125	4-M12	Ø102	4-M10	Ø35	137	45
EAC2-050	358	240	290	Ø150	Ø125	4-M12	Ø102	4-M10	Ø35	137	45
EAC2-080	390	260	322	Ø180	Ø140	4-M14	Ø125	4-M12	Ø45	137	55
EAC2-100	390	260	322	Ø180	Ø140	4-M14	Ø125	4-M12	Ø45	137	55
EAC2-160	390	260	491	Ø210	Ø165	4-M16	Ø140	4-M14	Ø55	137	65
EAC2-200	390	260	491	Ø210	Ø165	4-M16	Ø140	4-M14	Ø55	137	65

Wiring Diagram

