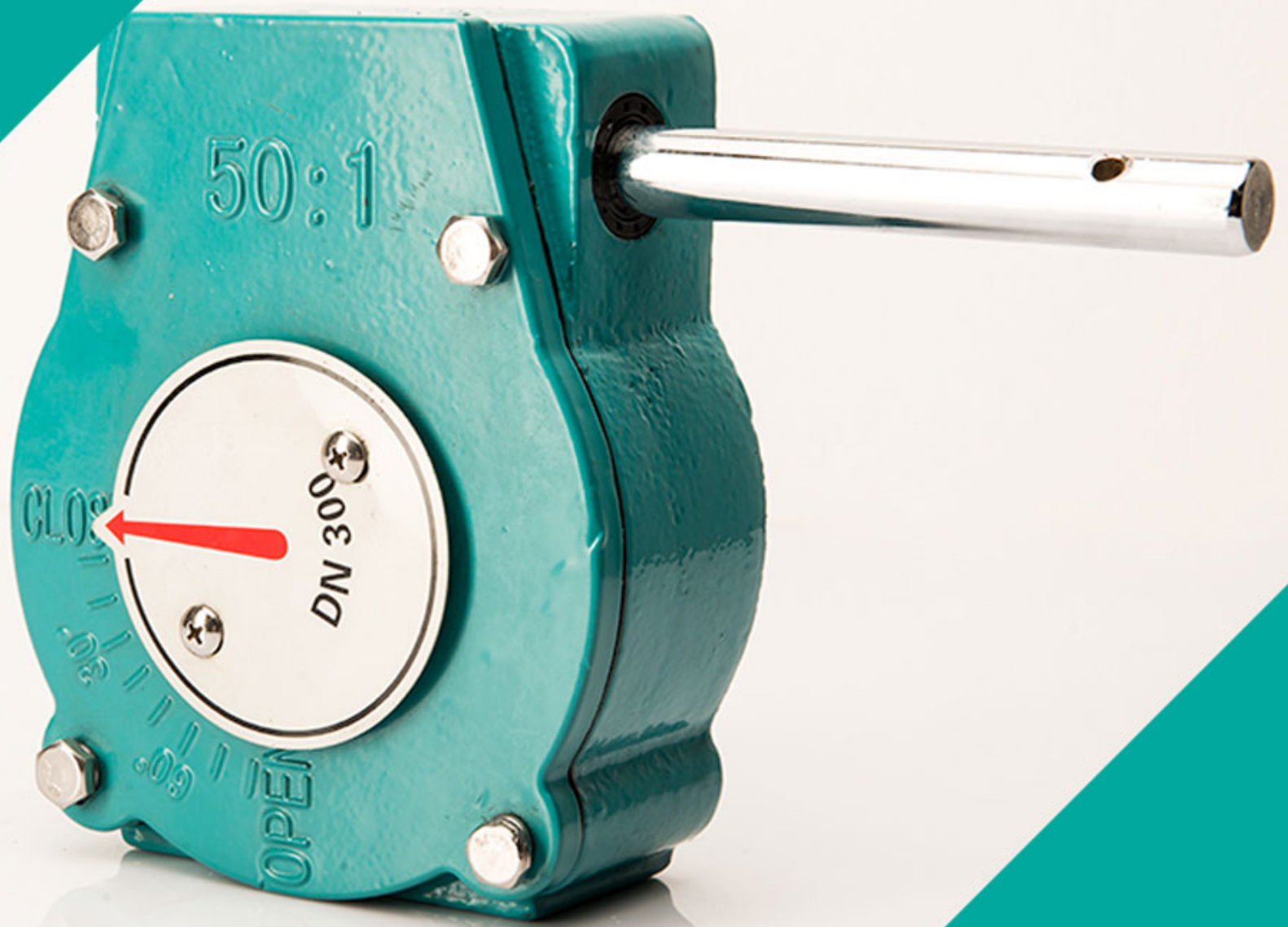


GEARBOX



CREATIVE • INNOVATION • PROCESS



SKU:1587



Scan me

GEARBOX

Description

Convalve CVGB series Part-turn Gearboxes use worm and worm wheel revolute pairs, with high performance needle roller bearing assembled on both ends of the worm shaft. It ensures the thrust requirement during rotation. It's in high mechanical efficiency withstands big torque, small size with compact design, and it's also easy to operate and has reliable self-locking function

Application

CVGB part turn worm gearboxes are applied to dampers, ball valves, butterfly valves and also other 90° quarter turn valves. CVGB part turn worm gear operator has variety models of hand wheel for optional.

Connect with Valve

The flange connecting to valve is according to ISO5210 , ISO5211 or DIN3210 (Customization)

Advantages

- Precision casting ductile iron housing
- Optional output torque, range up to 32000Nm
- High efficient needle roller bearing
- High strength steel input shaft
- Stroke 0° - 90° (±5°)
- Compact structure
- Grease filled for longer life
- Adjustable stopper (±5°)
- Good seal

Options

- Butterfly valves
- Ball Valves
- Plug Valves

Working Temperature

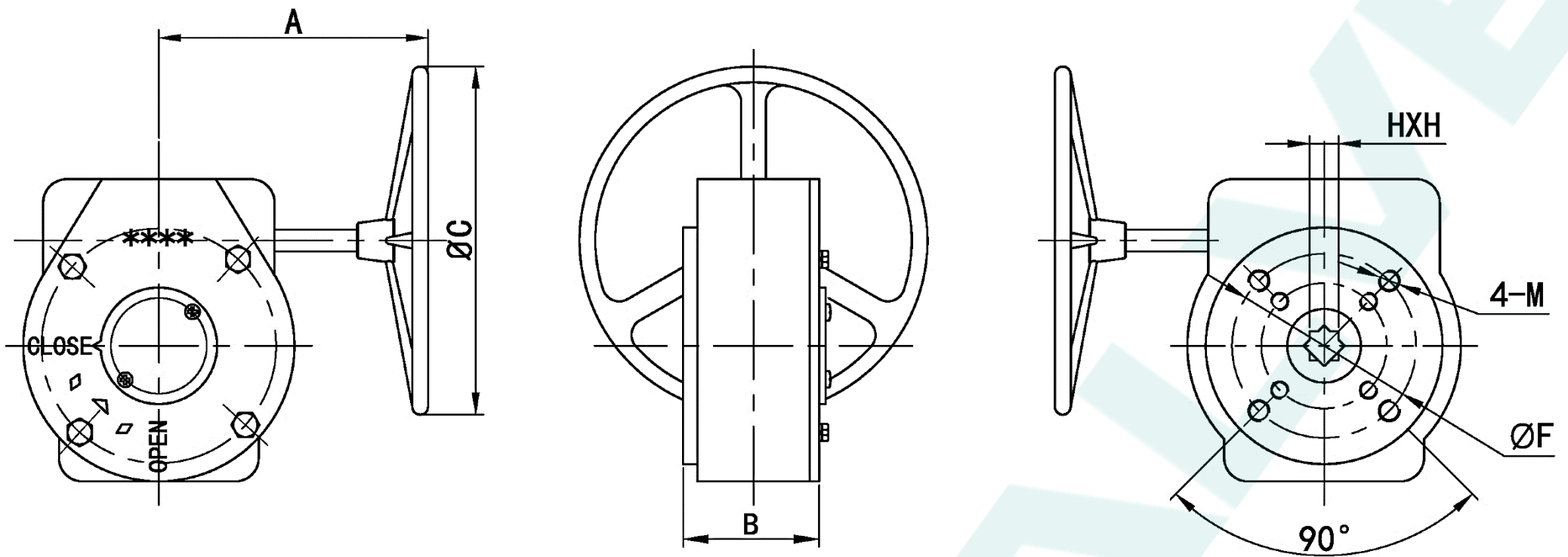
-20°C to 70°C according to material structure

Material

Body	Grey cast iron
Worm gear	Ductile iron
Worm	Steel ASTM1045
Worm shaft	Steel ASTM1045

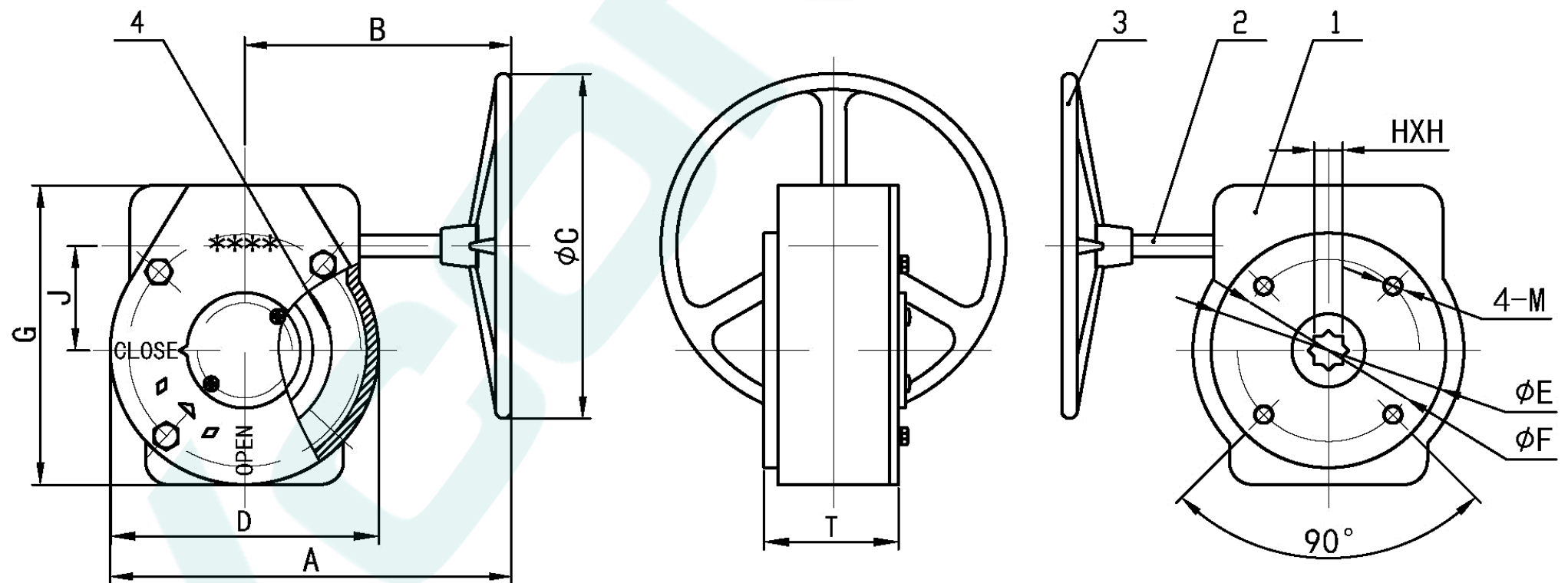
Dimensions: 50-300 / 350-450

50-300



Size		Ratio	INFORMATION REDUCTOR						Flange ISO 5211
MM	inch		A	ØC	B	ØF	4-M	HXH	
DN50-80	2"-3 "	24:1	160	150	68	50/70	4- M6/M8	14X14	F05/F07
DN100	4"	24:1	160	150	68	50/70	4- M6/M8	14X14	F05/F07
DN125	5"	24:1	160	150	68	50/70	4- M6/M8	14X14	F05/F07
DN150	6"	24:1	160	150	68	50/70	4- M6/M8	14X14	F05/F07
DN200	8"	30:1	227	285	72	70/102	4-M8/M10	17X17	F07/F10
DN250	10"	30:1	227	285	72	70/102	4-M8/M10	22X22	F07/F10
DN300	12"	50:1	227	285	75	70/102	4-M8/M10	22X22	F07/F10

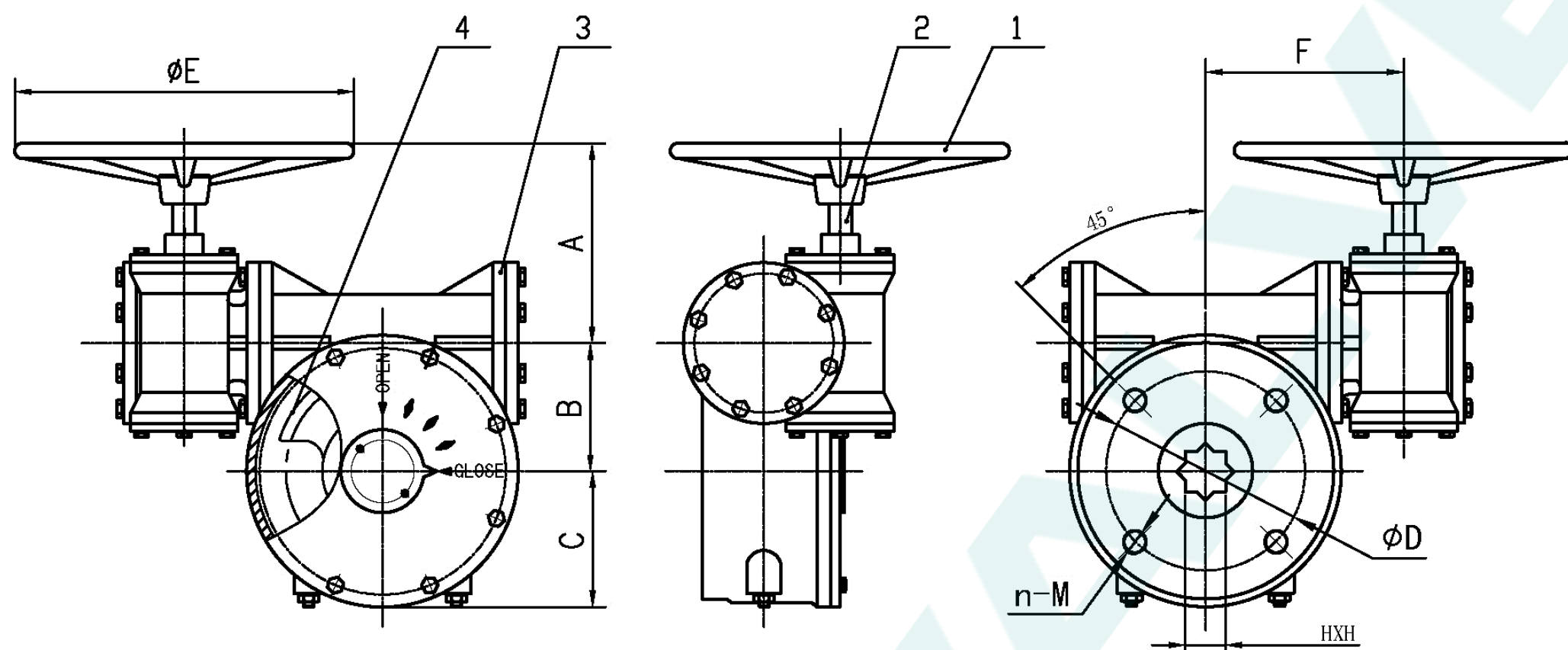
350-450



Size		Ratio	INFORMACION REDUCTOR										Flange ISO 5211	
DN	inch		A	B	ØC	D	J	G	T	ØE	ØF	n-M		HXH
DN350	14"	50:1	305	227	285	155	78	190	75	150	125	4-M12	22X22	F12
DN400	16"	80:1	395	270	285	248	118	195	105	175	140	4-M16	27X27	F14
DN450	18"	80:1	395	270	385	248	118	195	105	175	140	4-M16	27X27	F14

Dimensions: 500-600

500-600



Size	INFORMACION REDUCTOR										Flange ISO 5211	input torque (N. M)	output torque (N. M)
DN	Modle	Ratio	A	B	C	ΦE	F	ΦD	n- M	HXH			
DN500	3DA-30/400	640:1	154	100	107	385	169	165	4- M20	36X36	F16	52	4000
DN600	3DA-30/400	640:1	154	100	107	385	169	165	4- M20	36X36	F16	52	4000